

Revisions	Date	Description
1		
2		
3		
4		

ROCK SOLID CIVIL
 Civil Engineering and Land Development Consulting
 270 North 27th Street, Suite, JD 83702
 Office Phone: 208.342.2277
 www.rocksolidcivil.com



THIS DOCUMENT AND THE IDEAS AND DESIGNS INCORPORATED HEREIN, AS AN INSTRUMENT OF PROFESSIONAL SERVICE IS THE PROPERTY OF ROCK SOLID CIVIL LLC AND IS NOT TO BE USED IN WHOLE OR PART, FOR ANY OTHER PROJECT WITHOUT THE EXPRESS WRITTEN AUTHORIZATION OF ROCK SOLID CIVIL LLC.

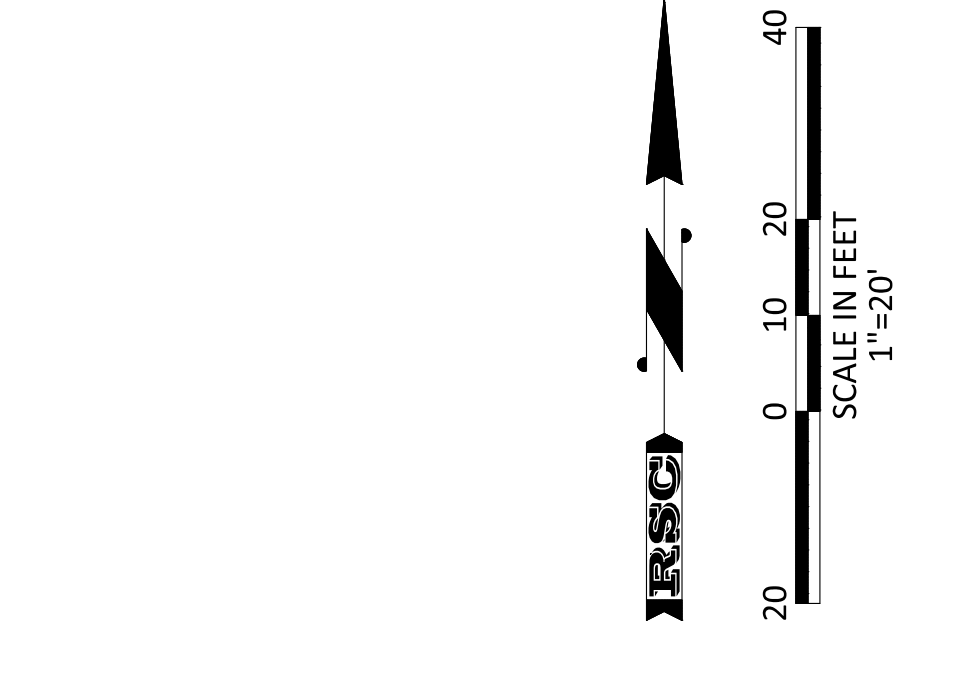
Project Name: NEWPORT PLACE SUBDIVISION
 Sheet Name: CONCEPTUAL PLAN

Project No. RSC-1763
 Drawn By: SJS
 Date: January 19, 2018
 Sheet No. 1 of 1

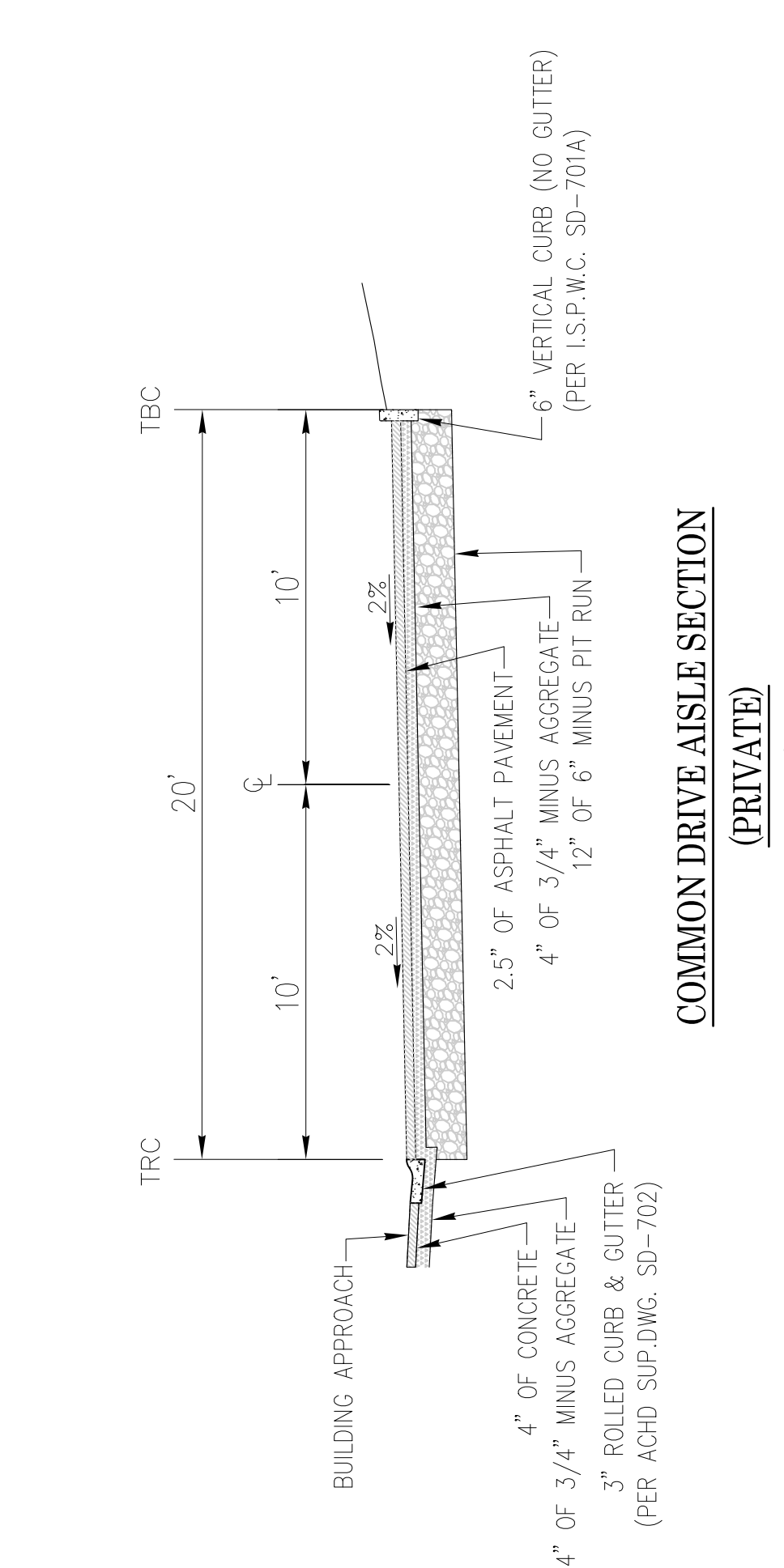
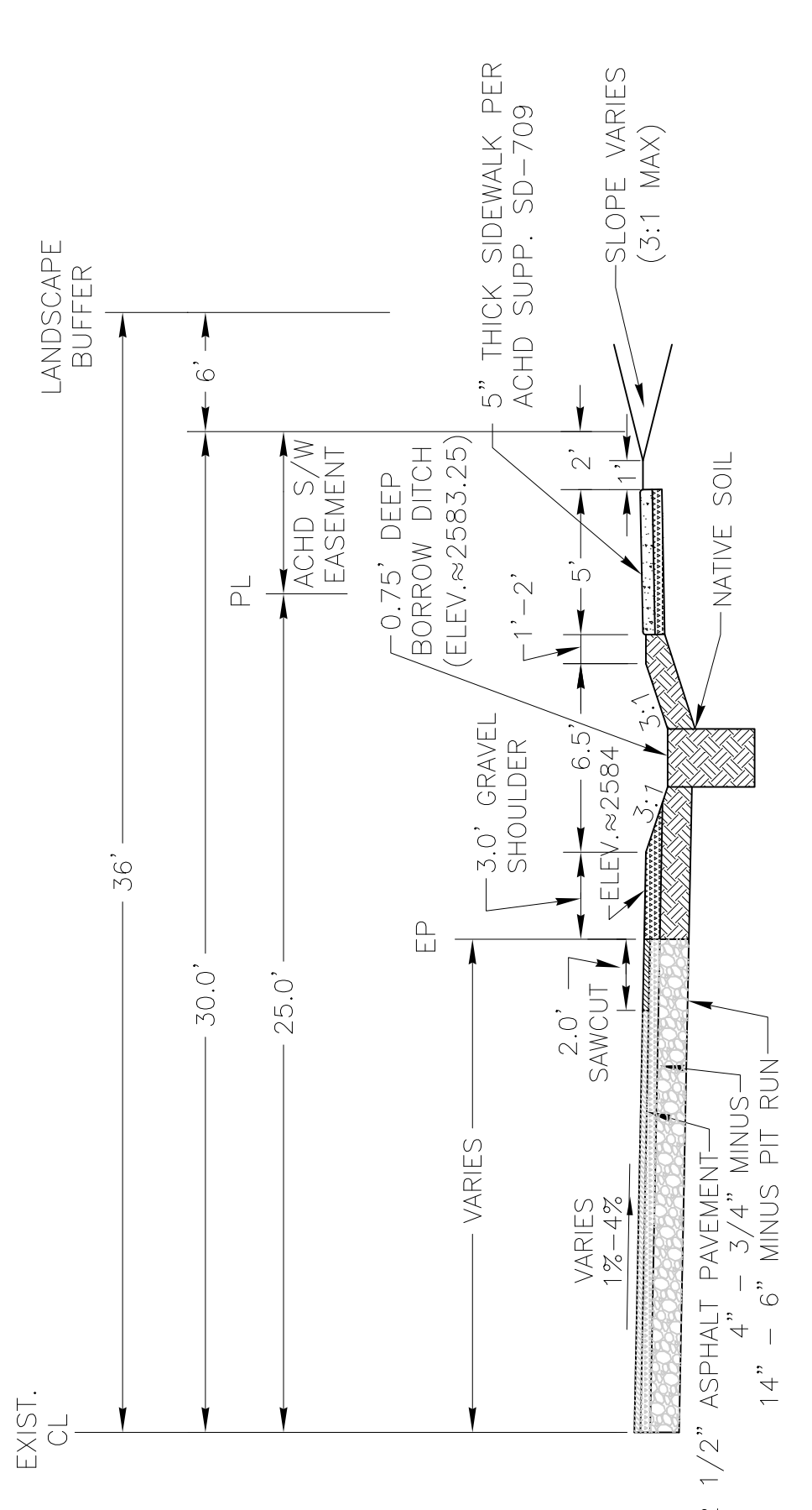
AGENCY REVIEW NOT APPROVED FOR CONSTRUCTION



☪ SPOIL BANKS CANAL



811
 CALL BEFORE YOU DIG!
 CALL DIGLINE INC.
 208.342.2277
 PREVENT UNDESIRABLE
 UNDERGROUND WORK
 208.342.1585



GENERAL LEGEND

BOUNDARY LINE	---
CROWN LINE	---
CENTERLINE	---
ACHD ROW LINE	---
PROPOSED LOT LINE	---
PROPOSED SIDEWALK EASEMENT	---
PROPOSED LANDSCAPE BUFFER	---
PROPOSED EDGE OF GRAVEL	---
PROPOSED EDGE OF PAVEMENT	---
EXIST. LOT LINE	---
EXIST. CANAL EASEMENT	---
EXIST. CANAL CENTERLINE	---
EXIST. CONCRETE	---
EXIST. GAS LINE	---
EXIST. EDGE OF PAVEMENT	---
EXIST. SEWER LINE	---
EXIST. OVERHEAD POWER	---
EXIST. FENCE	---
EXIST. TELEPHONE LINE	---
EXIST. IRRIGATION LINE	---
EXIST. DITCH	---
EXIST. BUSH CLUSTER	---
EXIST. BUILDING	---
5' MAJOR CONTOUR	---
1' MINOR CONTOUR	---
EXIST. SEWER MANHOLE	---
EXIST. GUT ANCHOR	---
EXIST. POWER POLE	---
EXIST. SIGN	---
EXIST. TELEPHONE PEDESTAL	---
EXIST. MAILBOX	---